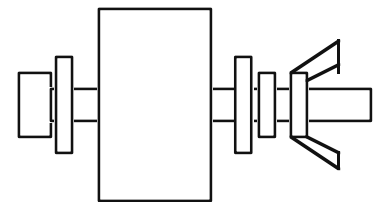
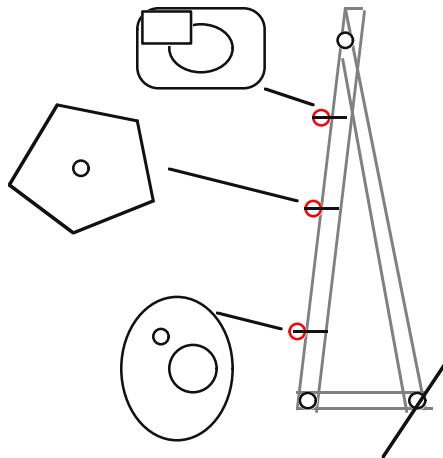
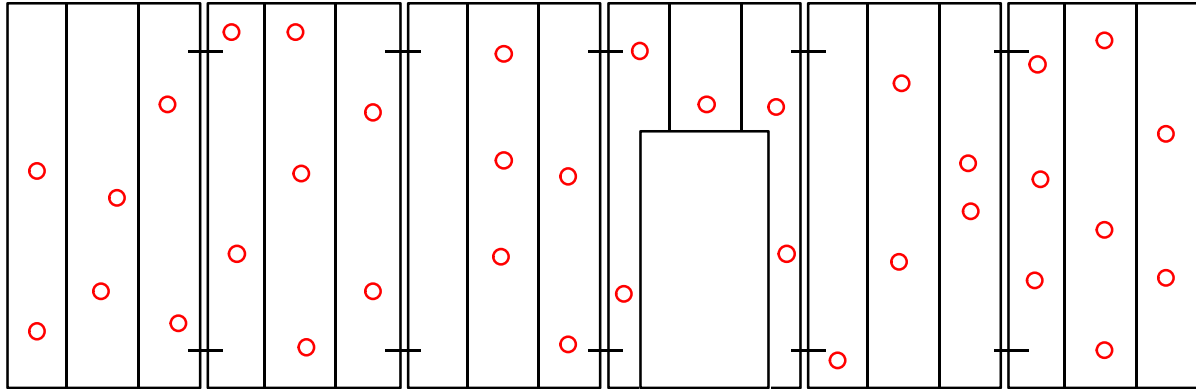




FASOID



Bolt Configuration 2 sizes

Build 6 4'x8' 2x4 frames on 16" centers using the 3.5" zinc Deck Screws 2 per stud with 5/8" plywood. Use 1.5" zinc deck screws and screw the plywood to the stud panel. Then use a piece of 5/8 plywood 4 1/8" wide and by 12" long. Drill a 3/8 hole in it centering it 8" down from the top of the jig this will help you drill a hole at a certain location on each end of the each wall section keeping the same edge to the front panel of the wall. Drill holes holding each brace in it's location and Bolt on the Angle braces every second stud 1" down from the top plate of each wall section. Then bolt the Horz base brace to the end of the Angle Brace next to the ground and then bolt it to the same stud the top Angle Brace is bolted to. Stand each section up and bolt the sections together. Using the Deck material and a scroll saw cut out the hand holds using various hand hold shapes at edge angles and then drill a 3/8 hole in them and then place them on the wall.

<u>Amount</u>	<u>Purchase dimension</u>	<u>Cut dimension</u>	<u>Description:</u>
24	2x4x8"	2x4x93"	wall studs
6	2x4x8'	12-2x4x4'	Top and bottom plates
6	2x4x8'	6- 2x4x8'	Angle Braces
3	2x4x8'	6 -2x4x4'	Horz base braces
30	3/8"x4.0" machine bolt		Machine Bolt for Wall panels 3" joints
60	3/8 Flat Washer		2 washers for each bolt



FASOID



30	3/8 Lock Washers	1 for each Wing nut
30	3/8 Wing Nut	1 for each Bolt
240	1.5" Zinc Deck Screws	Space every 12"
48	3.5" Zinc Deck Screws	2 per stud
2	1.5"x12' new Plastic/dust decking 50 (1.5" 1x4")	Hand holds
50	3/8" 2.5" machine bolt	Hand Hold bolts
50	3/8 Lock washer	Hand Hold lock washer
100	3/8 flat washer	Hand Hold Washer
50	3/8 Wing Nuts	Hand Hold Wing Nuts
Paint	1 gallon latex Blue	Back Ground
Paint	1/4 White	Lettering
Paint	White spray paint 1 can	Stake Paint
10'	1" Rebar	6- 1"x18" Rebar
		stake